



## RLTMGL-593 1-30 mW

### Yellow Diode Pumped Solid State Laser

All solid state 593.5 nm yellow laser featuring compact size, long lifetime, and low cost, and easy operatability, which is widely used for scientific experiments, measurements, optical sensors, communication, spectrum analysis, medical treatment, etc.



Specifications	
Wavelength	593.5 ±1 nm
Output Power	1 - 30 mW
Transverse Mode	Near TEM <sub>00</sub>
Operating Mode	CW
Power Stability (rms, over 4 hours)	< 3%, < 5%, 10%
Warm-up time	< 15 min
M <sup>2</sup> factor	< 1.5
Beam Divergence (full angle)	< 1.5 mrad
Beam Diameter (at the aperture)	~ 2.0 mm
Beam Height (from base plate)	24.8 mm
Polarization ratio	> 100:1 ( 0° or 90°)
Pointing stability after warm up	< 0.05
Operating Temperature	10 - 35 °C
<b>Power Supply (90-260VAC)</b>	<b>PSU-FDA (included)</b>
Expected Lifetime	10000 hours
<b>Warranty period</b>	<b>1 year</b>

Options	
PSU-LED (90-260VAC)	Power supply featuring adjustable output power and current display
PSU-OEM (5VDC)	DC power supply for system integration
Fiber coupling	Multi mode/single mode fiber, SMA-905/FC connector



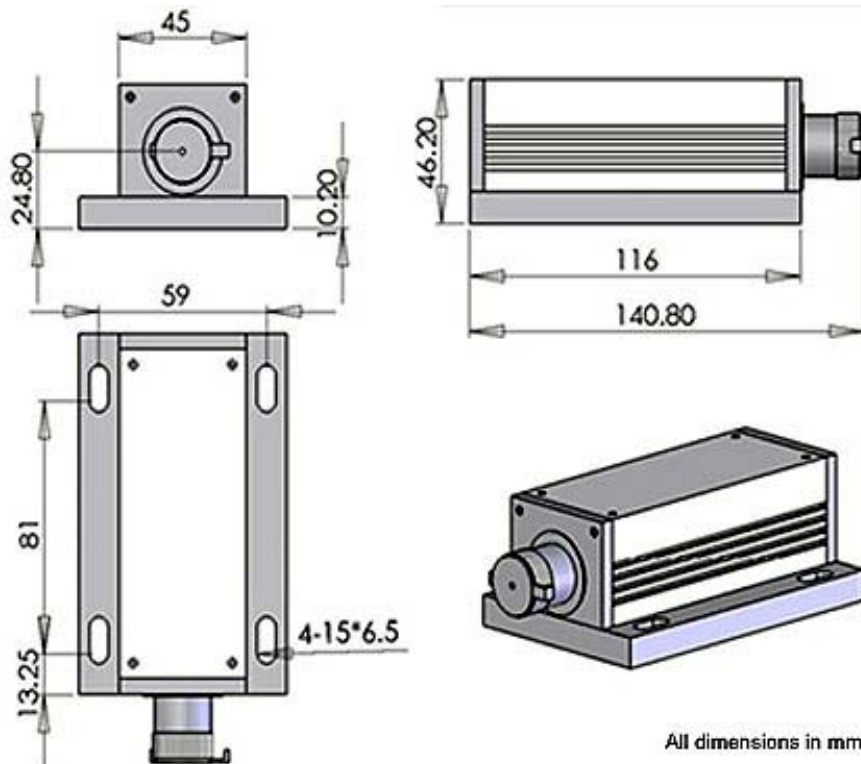
**LASER RADIATION**  
AVOID DIRECT EXPOSURE TO BEAM  
DO NOT STARE INTO BEAM  
NEVER VIEW THROUGH OPTICAL INSTRUMENTS



## RLTMGL laser head



141 x 73 x 46 mm<sup>3</sup>, 0.6 kg

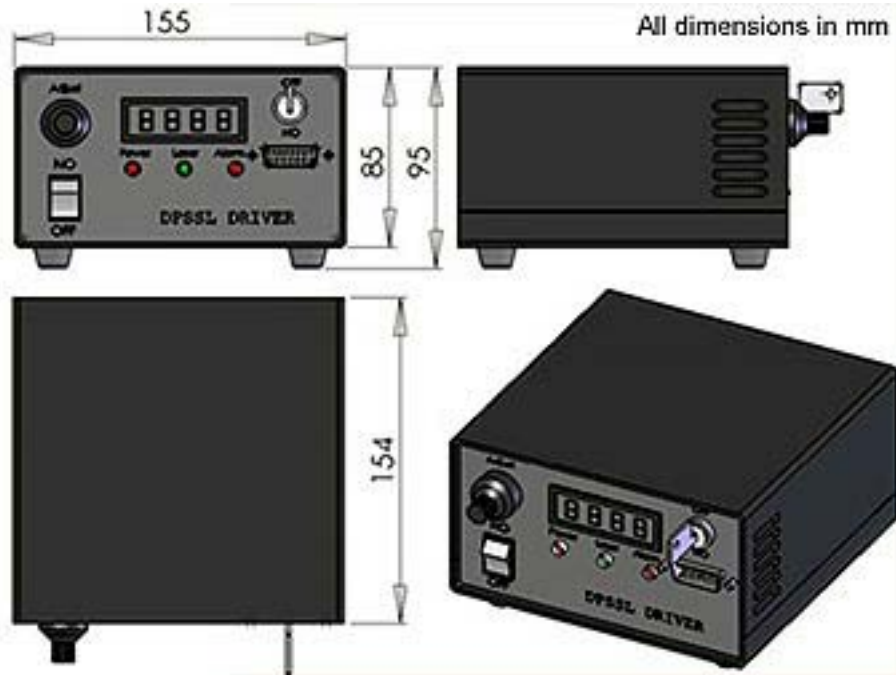




## PSU-LED power supply



154 x 155 x 95 mm<sup>3</sup>, 1.5 kg

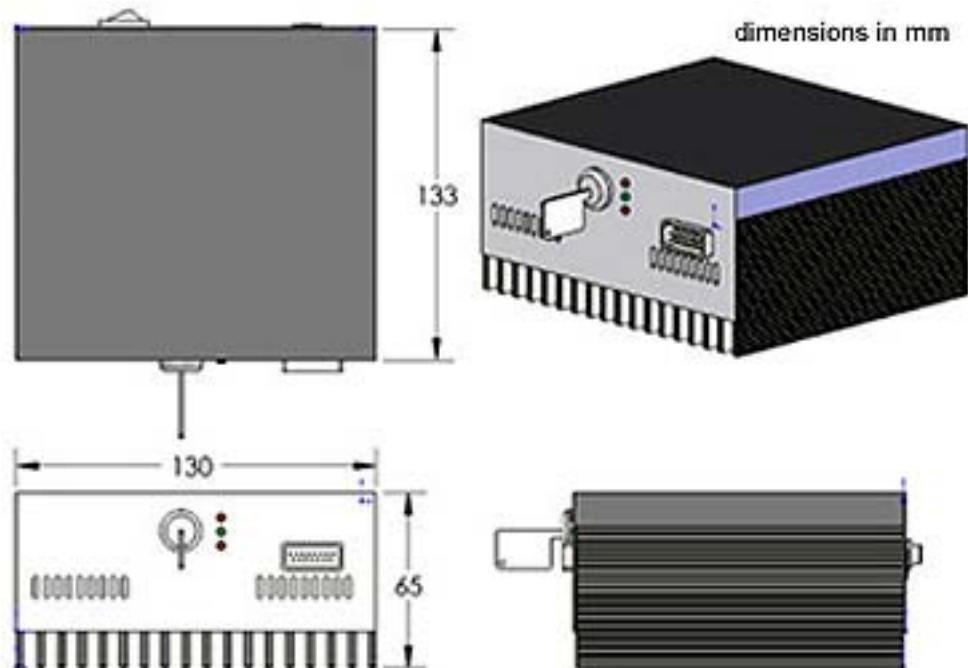




## PSU-FDA power supply

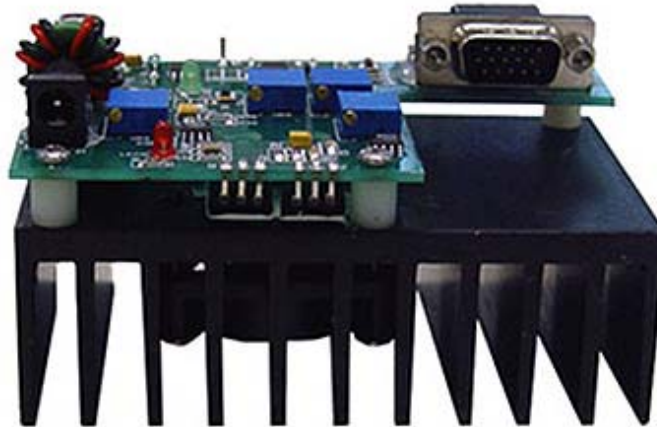


133 x 130 x 65 mm<sup>3</sup>, 1.2 kg

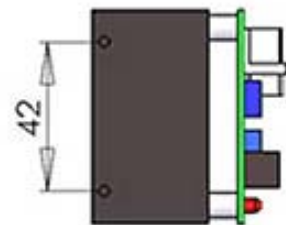
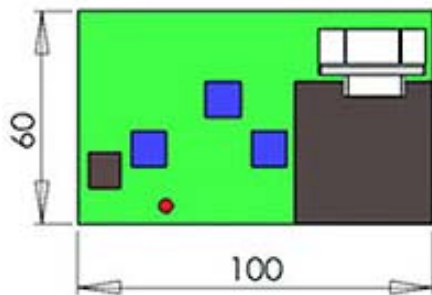
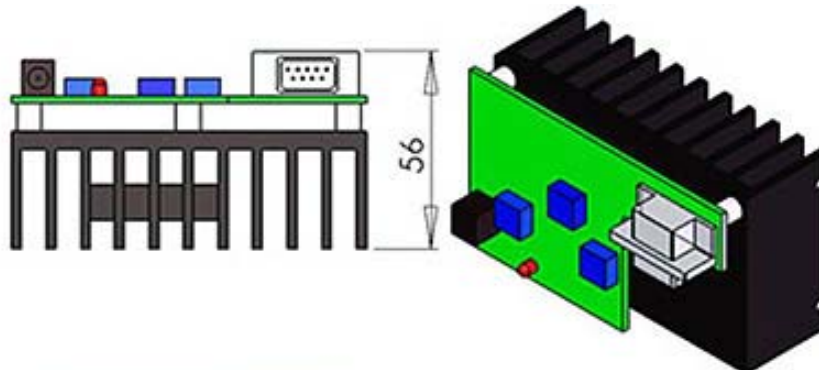




## PSU-OEM power supply



100 x 60 x 56 mm<sup>3</sup>, 0.2 kg



All dimensions in mm